

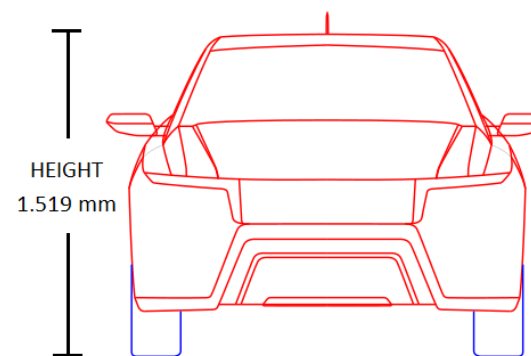
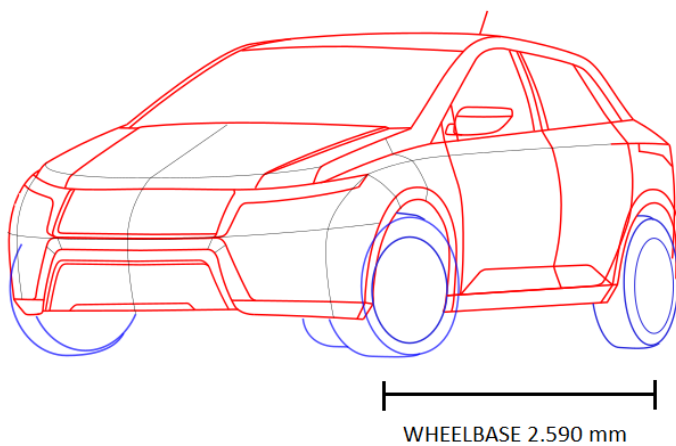
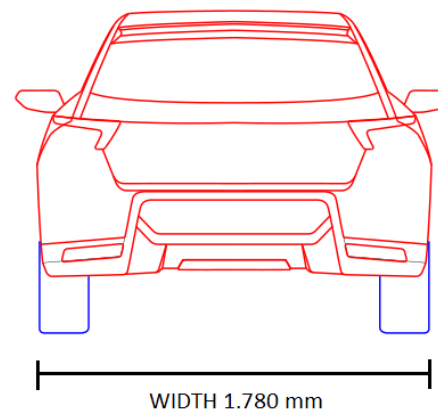
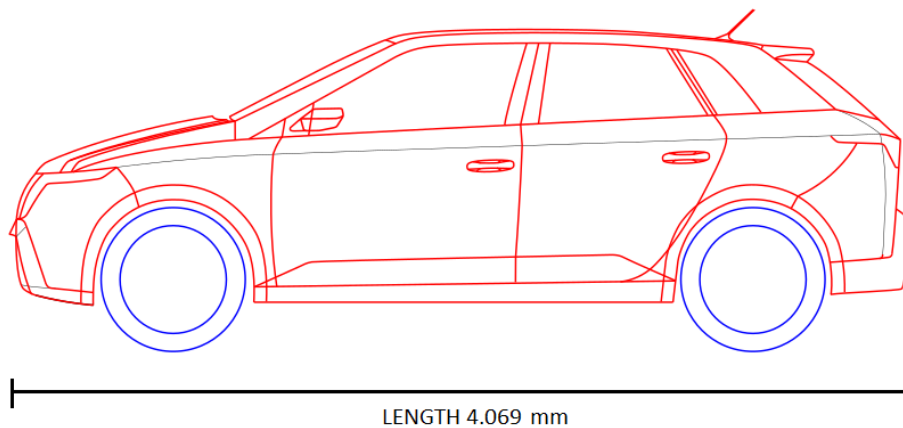
TECHNICAL SPECIFICATIONS E26		PRICE
<b>POWER KW / CV</b>	87 / 117	Serie
<b>VMAX KM/H</b>	150	Serie
<b>TRANSMISSION</b>	Automatic	Serie
<b>BATTERY</b>	50 KWh	Serie
<b>RANGE WLTP</b>	320 - 400 KM	Serie
<b>DRIVING MODES CV / KPH</b>		Serie
<b>SPORT</b>	117 / 150	
<b>NORMAL</b>	90 / 130	
<b>CITY</b>	65 / 80	
<b>VOLTAGE RANGE, V</b>	300 - 450	Serie
<b>BATTERY WARRANTY</b>	8 years/160.000 km for 70% of its capacity	Serie
<b>CHARGING PROCESS</b>		
<b>ALTERNATING CURRENT (AC):</b>		Serie
<b>THREE-PHASE CHARGER 11 KW</b>	5 h 15 min.	
<b>SINGLE PHASE CHARGER</b>	8 hours (approx.)	
<b>DIRECT CURRENT (DC):</b>		Extra
<b>CHARGER 100 KW</b>	25 minutes: battery 80 % charged	
<b>COLOURS</b>	White	Serie
	Light Grey	500,00 €
	Dark Grey	500,00 €
	Red	500,00 €
	Black	600,00 €
	White Pearl	600,00 €

	Blue	600,00 €
<b>SECURITY</b>	Automatic emergency braking with video and radar (night)	Serie
	ESP Stability Control	Serie
	Rear obstacle detector	Serie
	Driver and Passenger Airbags, front, side and curtain	Serie
	Involuntary Lane Change alert	Serie
	Front and rear seat belt buzzer	Serie
	Fatigue detector and warning	Serie
	Front and side Passenger airbag deactivator switch	Serie
	Rear seat belt pretensioners	Serie
	Rear center headrest	Serie
	Autonomous Driving Level 2	Serie
<b>BATTERY AND CHARGING</b>	Mode 3 cable (Three-phase – Up to 11 Kw) Charging at a public charging station.	330,00 €
	On-board cable (Three-phase – Up to 11 Kw)	900,00 €
	Charge on conventional power socket at home /public / high power charging stations at home. Between 1.8 Kw and 11 Kw.	1.180,00 €
	Charge in a conventional outlet at home. Cable mode 2 base.	Serie
	Single-phase load point – Up to 4.6 Kw. High power charging at home.	700,00 €
	Charging point (Three-phase – Up to 11 Kw) High power charging at home.	1.110,00 €

<b>SUSPENSION, STEERING AND BRAKES</b>	Electric power steering	Serie
	Electric parking brake	Serie
	Height and Depth adjustable steering wheel	Serie
	Regenerative brake	Serie
<b>INTERIOR AND INSTRUMENTATION</b>	ISOFIX anchors in the rear side seats	Serie
	Central locking with remote control	Serie
	Cruise control	Serie
	One-touch power front windows with anti-pinch function	Serie
	Rear electric windows	150,00 €
	Rear manual windows	Serie
	Lighted trunk	Serie
	Steering Wheel controls	Serie
	Front sun visors with mirrors	Serie
	12V power socket	Serie
<b>AC</b>	Digital electronic climate control	Serie
<b>EXTERIOR</b>	Exterior rear view mirrors in body color	Serie
	Front fog lights	175,00 €
	Halogen headlights	Serie
	Led headlights	350,00 €
	Daytime running lights inside the headlights	Serie
	Wiper rear windows	Serie
	Rear fog lamp	Serie
	Door trim interior panels	Serie

	Black molding at the base of the windows	Serie
	Hear reflective windshield	Serie
	Integrated rear roof spoiler	Serie
	Roof in body color	Serie
	Exterior door handled in body color	Serie
	Retractable exterior handled. Flush with the body	Serie
	Heated rear window	Serie
	Automatic lights and rain sensor	150,00 €
	Third brake light	Serie
	5G	Serie
<b>AUDIO, INFO AND COMMUNICATION</b>	Normal roof antenna	Serie
	Multimedia – Color touch screen	Serie
	Digital Radio System 6 Speakers	Serie
	MP3 compatibility, USB connection, Bluetooth,	Serie
	Cluster	Serie
	Gear shift indicator	Serie
<b>RIMS AND TIRES</b>	Tires 195/55R 16	Serie
	Tire repair kit	Serie
	Tire pressure sensor	Serie
	16" alloy wheels	Serie
<b>CONVERSIONS</b>	Driving School Transformation	1.800,00 €
	Prepared for carsharing	300,00 €

LUPA



\*The design and measurements are indicative